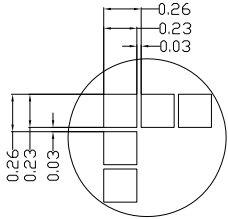
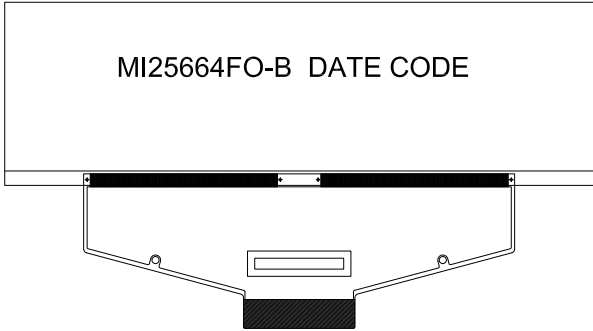
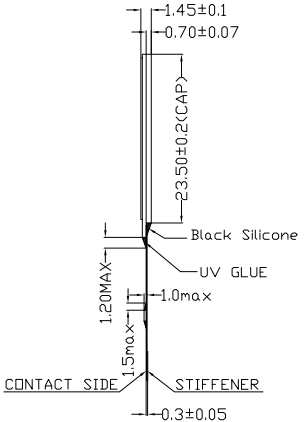
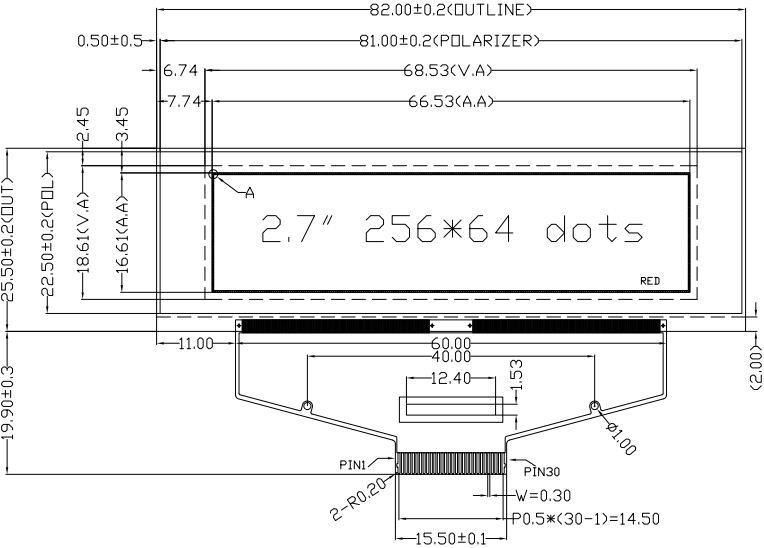


PIN DESCRIPTION


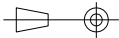
|    |       |    |       |
|----|-------|----|-------|
| 1  | NC    | 16 | BS0   |
| 2  | VSS   | 17 | BS1   |
| 3  | VCC   | 18 | DC#   |
| 4  | VCOMH | 19 | CS#   |
| 5  | VLSS  | 20 | RES#  |
| 6  | D7    | 21 | FR    |
| 7  | D6    | 22 | IREF  |
| 8  | D5    | 23 | NC    |
| 9  | D4    | 24 | VDDIO |
| 10 | D3    | 25 | VDD   |
| 11 | D2    | 26 | VCI   |
| 12 | D1    | 27 | VSL   |
| 13 | D0    | 28 | VLSS  |
| 14 | E     | 29 | VCC   |
| 15 | R/W#  | 30 | NC    |



DETAIL A  
SCALE 20X

- NOTES:
1. OPERATING TEMP: -30°C TO 80°C
  2. STORAGE TEMP: -40°C TO 85°C
  3. VIEWING DIRECTION: ALL
  4. OLED DRIVE IC: SSD1322UR1
  5. DISPLAY COLOR: BLUE
  6. UNSPECIFIED TOLERANCES: ±0.2mm.
  7. ( ) MEANS: DIMENSION FOR REFERENCE
  8. THE PROTECTIVE FILM ON FRONT SIDE OF OLED MUST BE REMOVED BEFORE ASSEMBLY BY CUSTOMER (客户在装机时, 自己必须撕掉保护膜)

|      |                     |            |
|------|---------------------|------------|
| 01   | FIRST ISSUE         | 2016.03.28 |
| VER. | REVISED DESCRIPTION | DATE       |

|   |                  |   |              |
|---|------------------|---|--------------|
|  <b>MULTI-INNO TECHNOLOGY CO.,LTD.</b> |                  |   |              |
| DRAWN BY:   | CAROL 2016.03.28 | SCALE : 1/1   | MODULE P/N:  |
| CHECKED BY:   |                  | UNIT: mm  | MI25664FO-B  |
| APPROVED BY:  |                  |  | DESCRIPTION: |
| VERSION NO:   | 01               |   | OLED MODULE  |